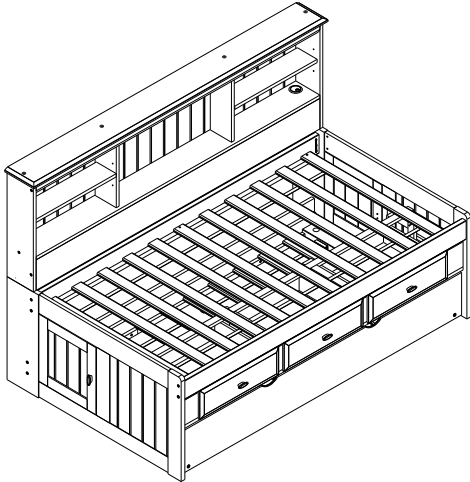
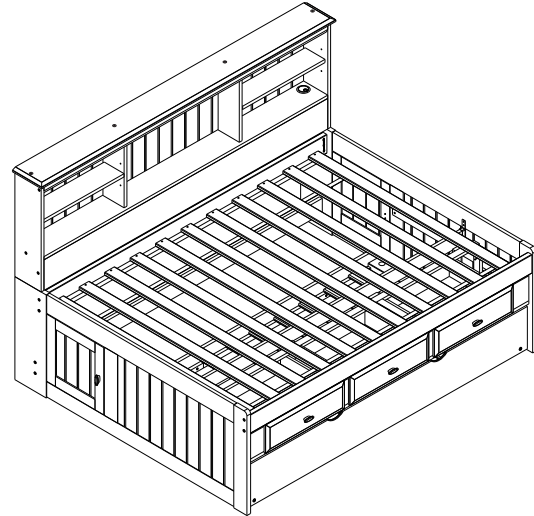



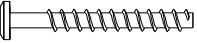


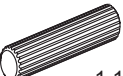




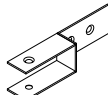
5222 (Twin)

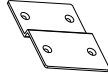
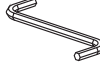
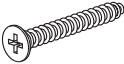



5223 (Full)



A	 1/4" x 2 3/4"	08
B	 2 1/2"	04
C	 1/2"	16
D	 1 1/2" x 8mm	06
E	 1 1/2" x 10mm	06

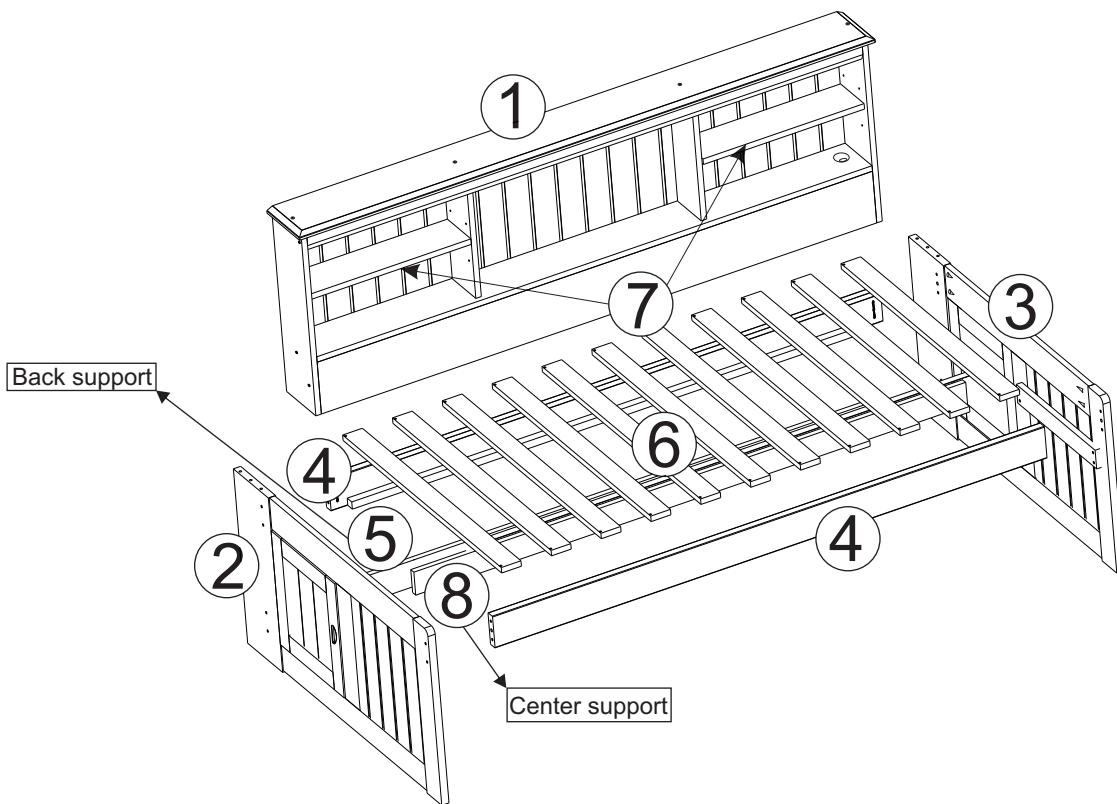
<u>Tools required</u>		
Allen wrench (Included)		
Screw driver (not included)		
K		02
L		04
P		02

F		02
G		01
I	 1 1/4"	06
J		08

Replacement Parts & Limited Warranty

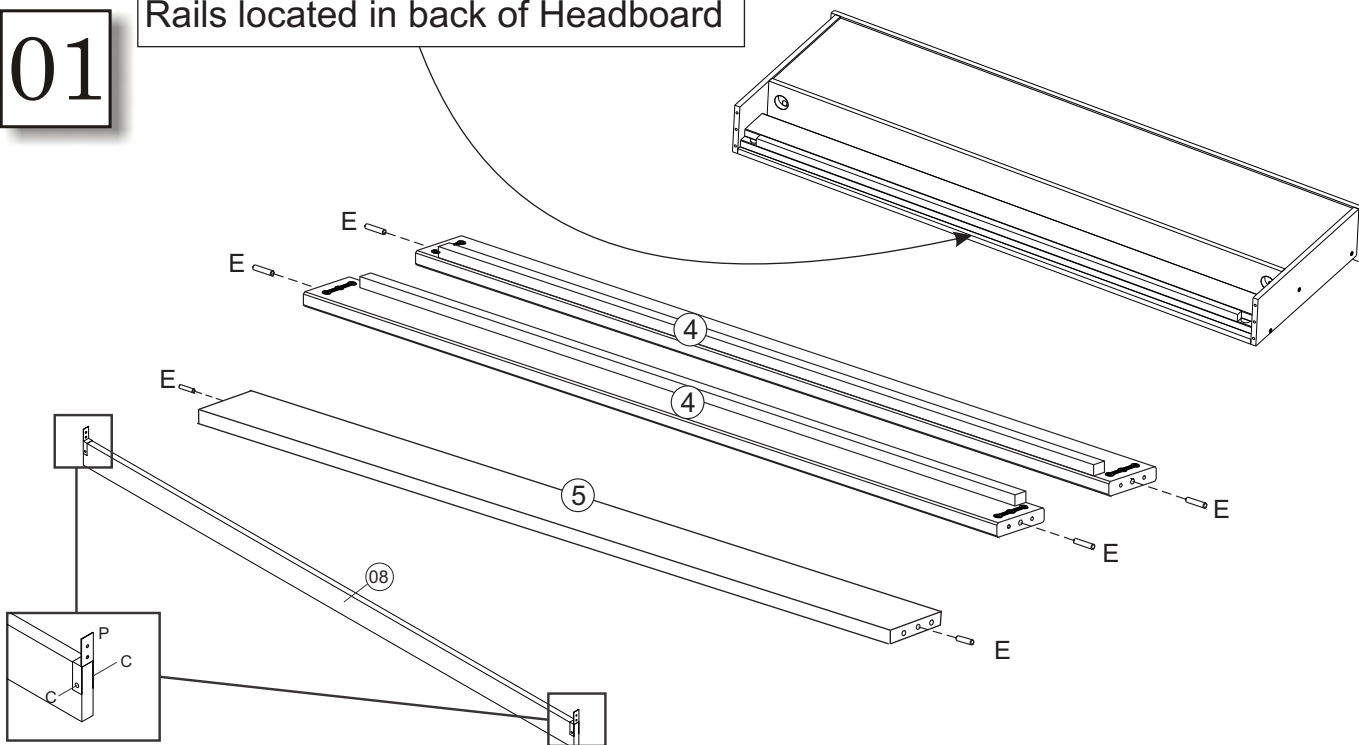
Discovery World Furniture will replace any component part free of charge for 1 full year via UPS freight collect. Discovery World Furniture will replace any component part for 50% of the then prevailing retail price plus freight for the lifetime of the product unless the product has been discontinued from our line. For service, email your request to: info@discoveryworldfurniture.com

Parts List

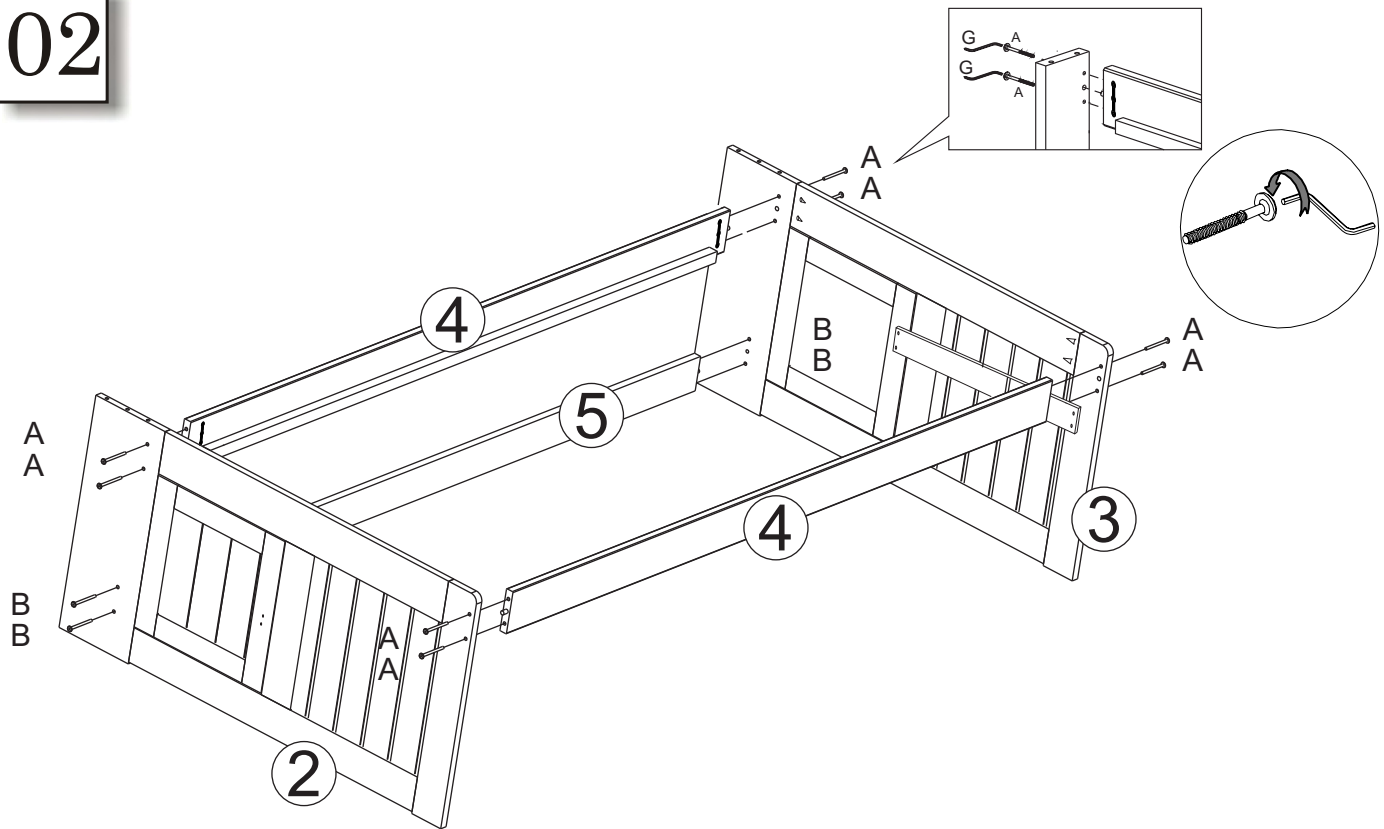


01

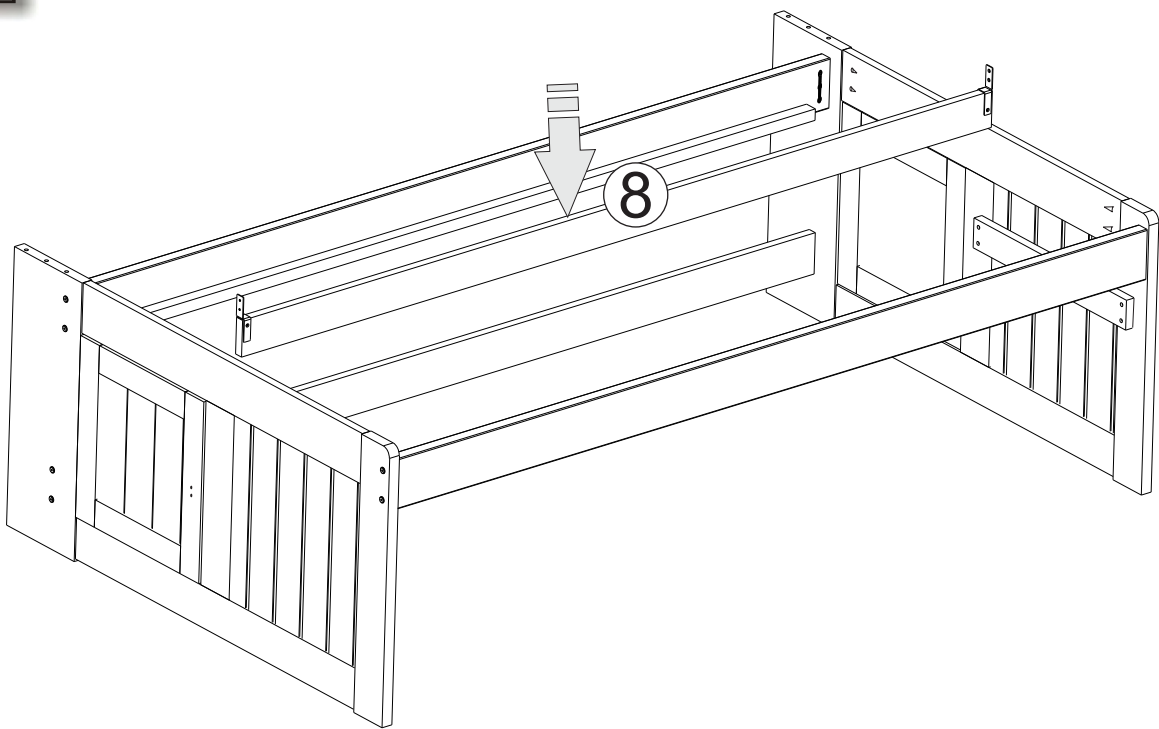
Rails located in back of Headboard



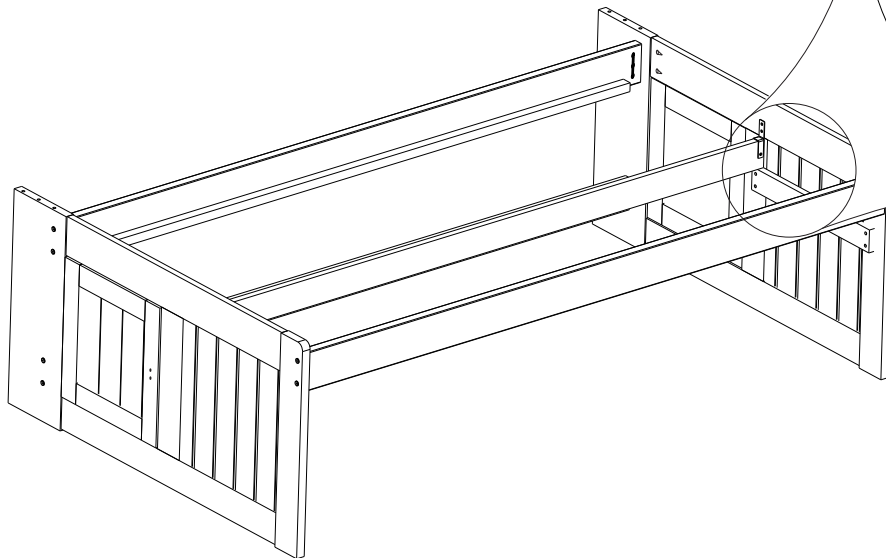
02



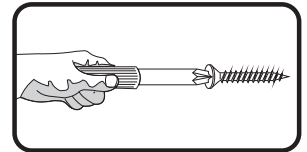
03



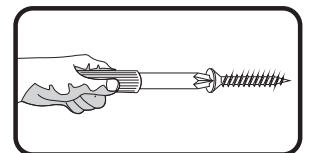
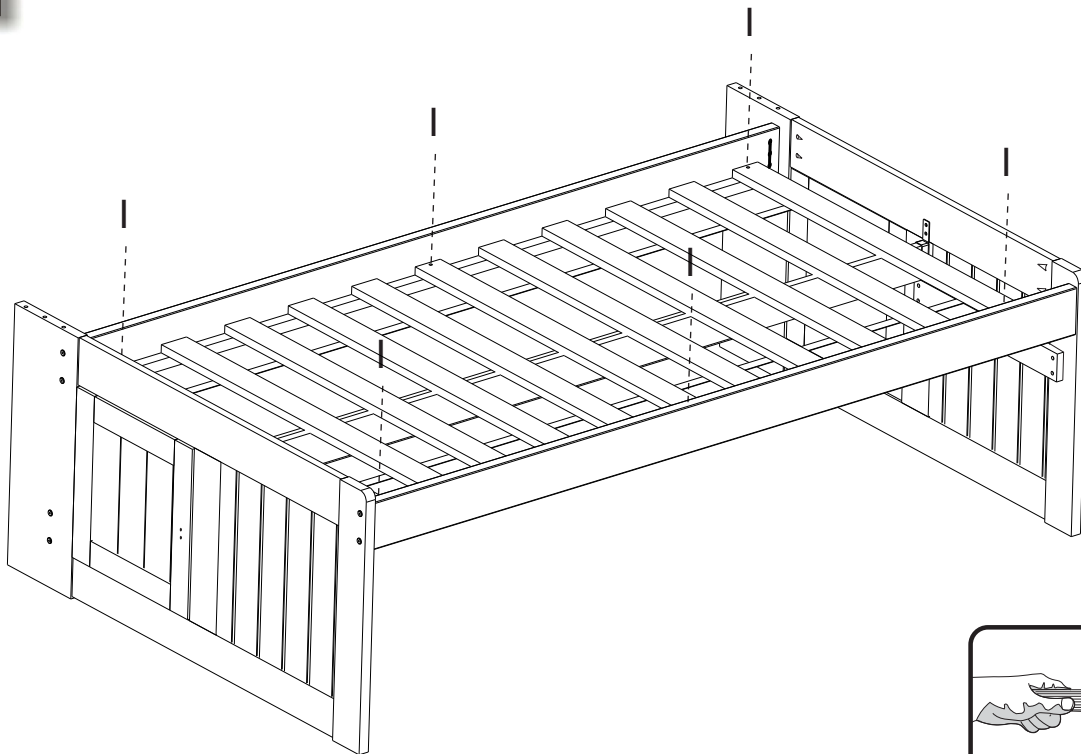
04



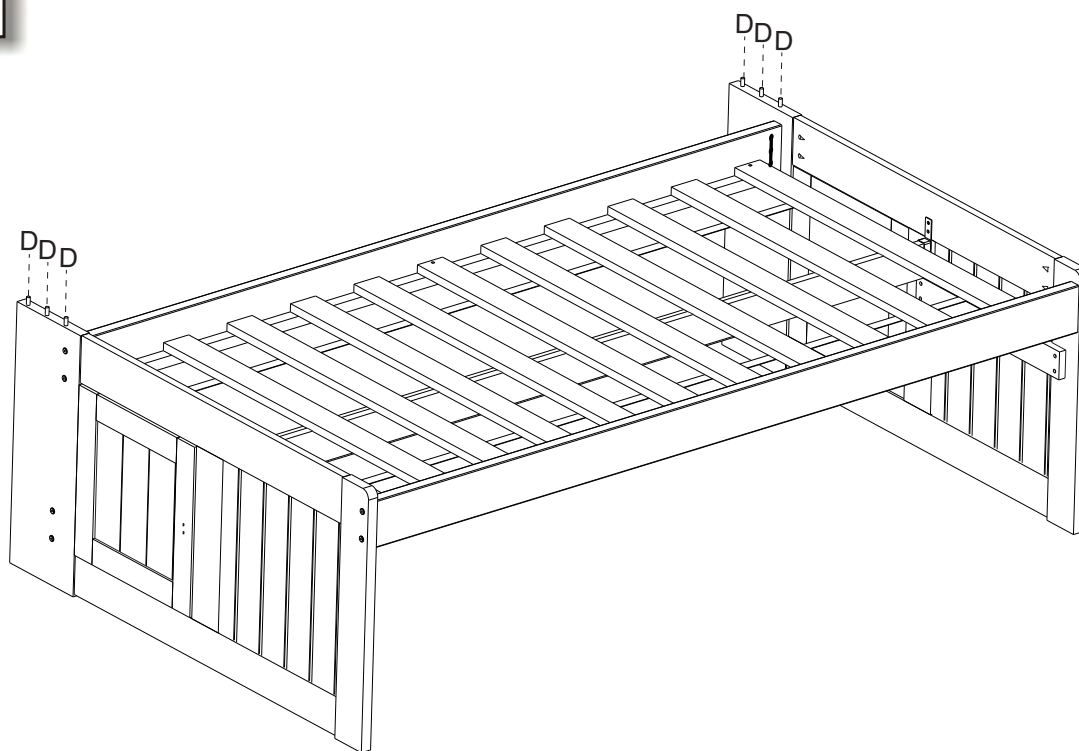
Repeat on both sides



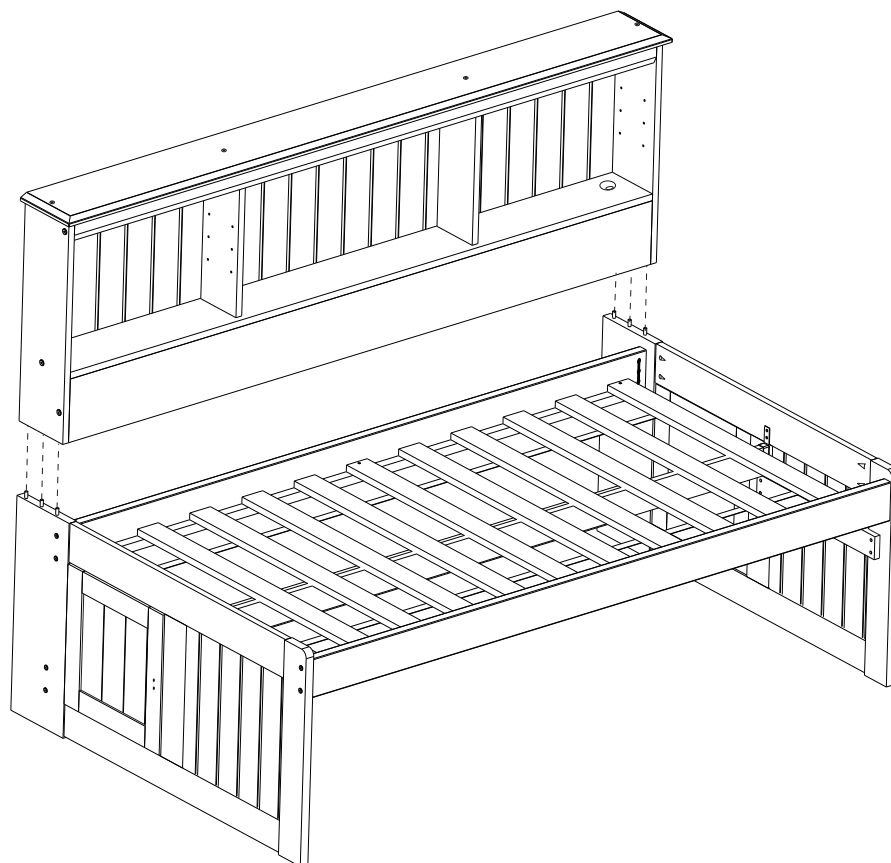
05



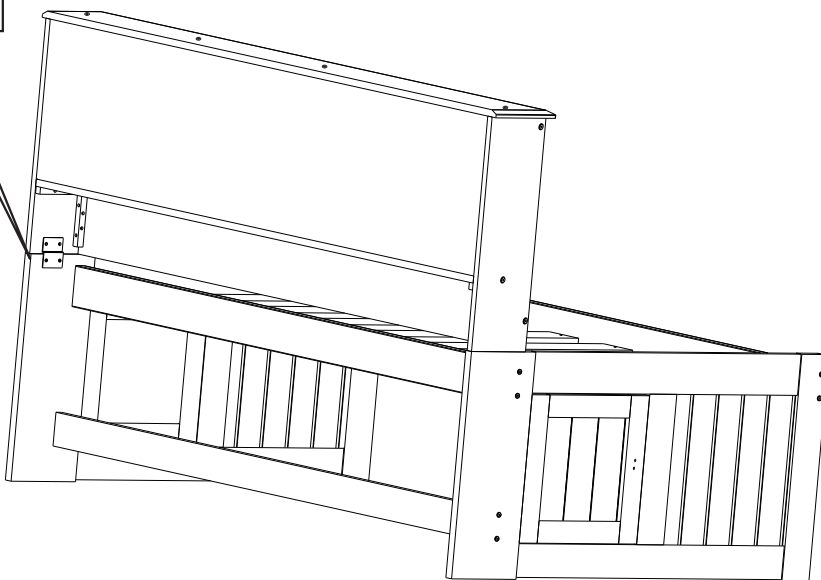
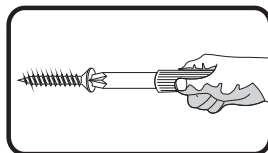
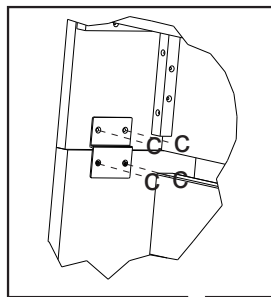
06



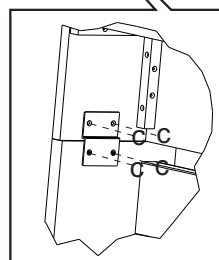
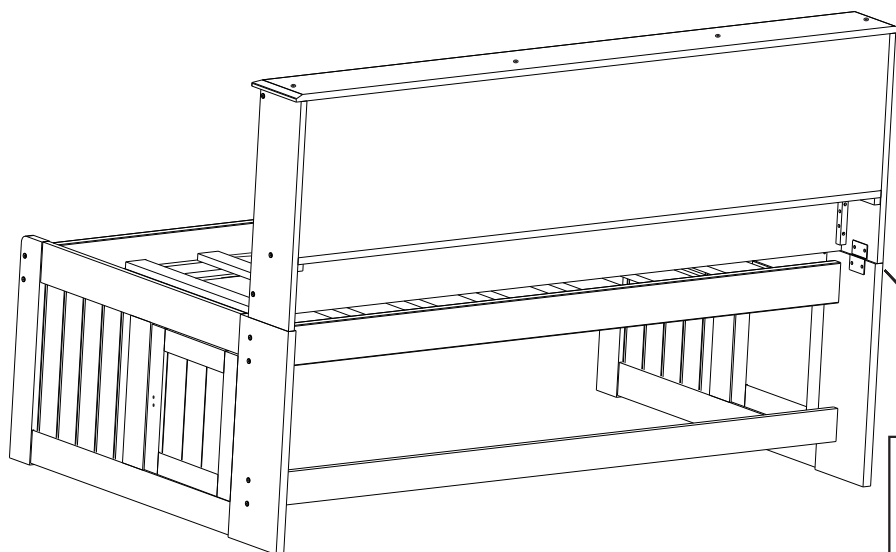
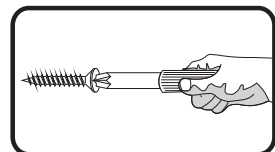
07



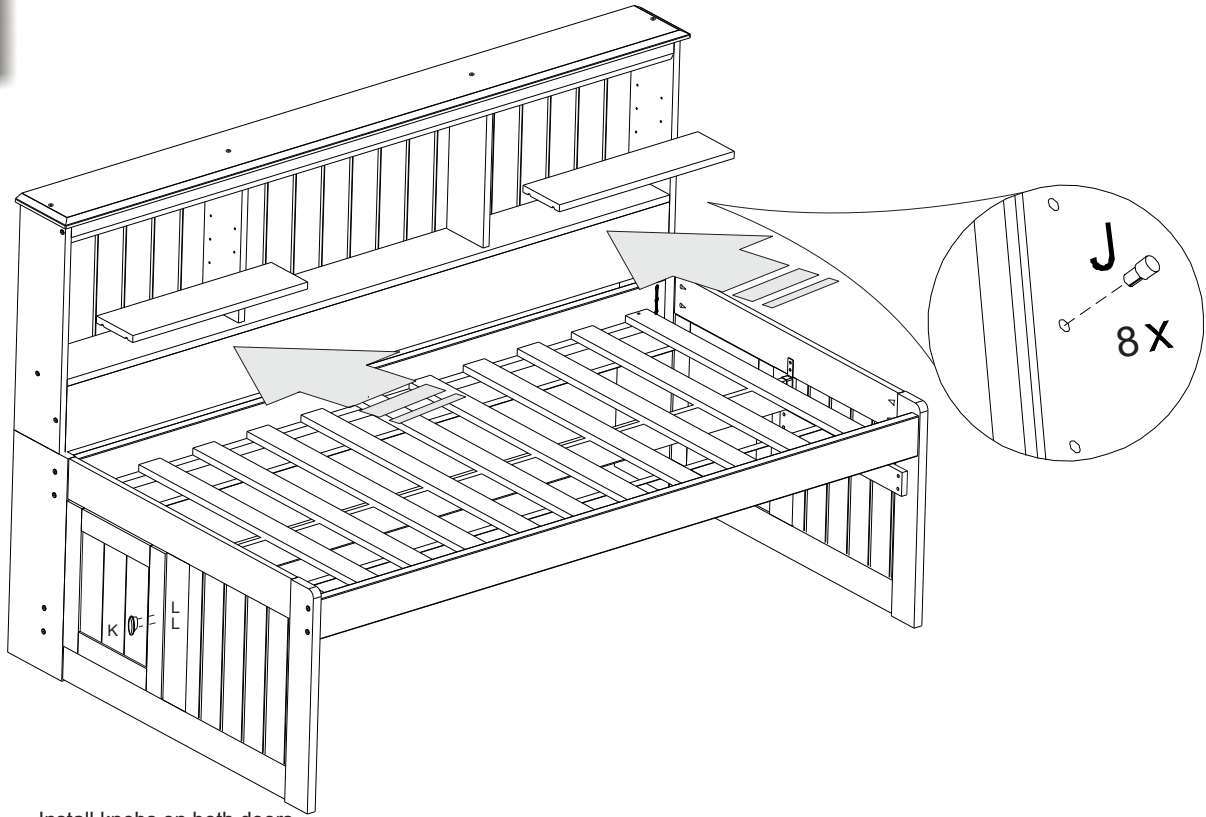
08



09

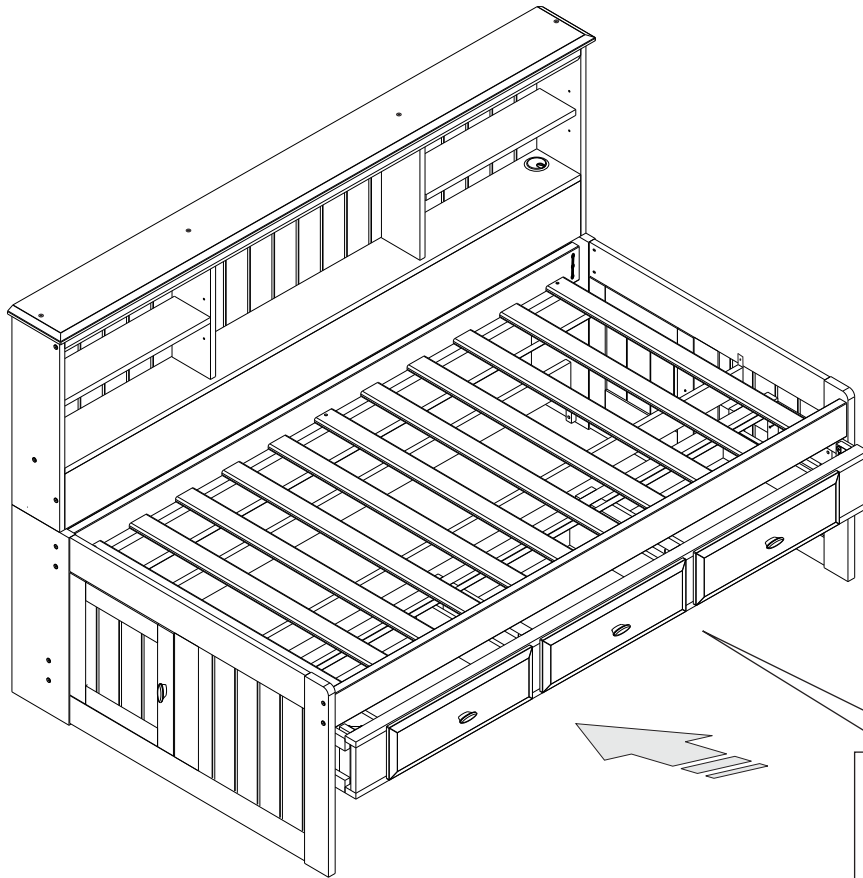


10



Install knobs on both doors

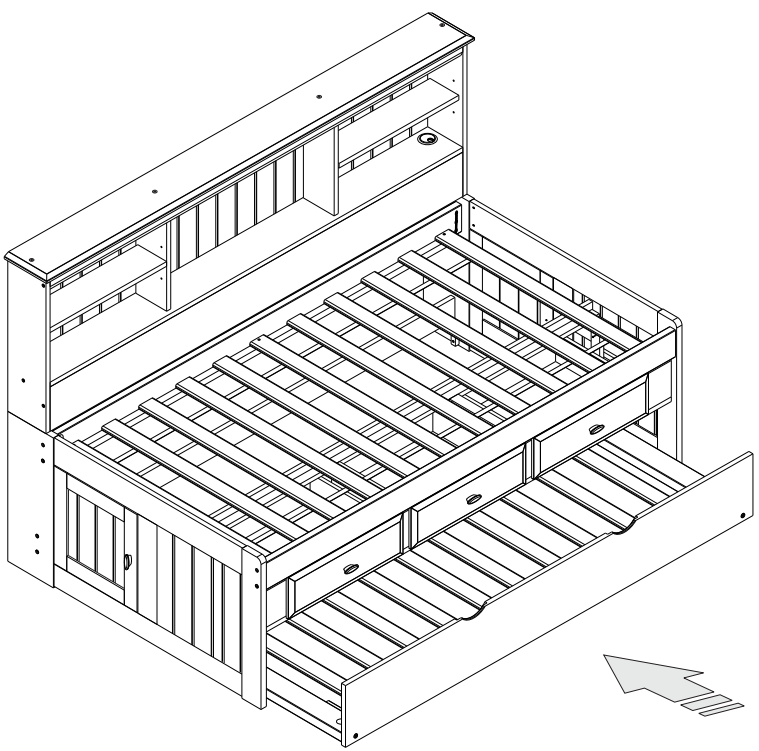
11



Optional 3Drawer Elevation Unit

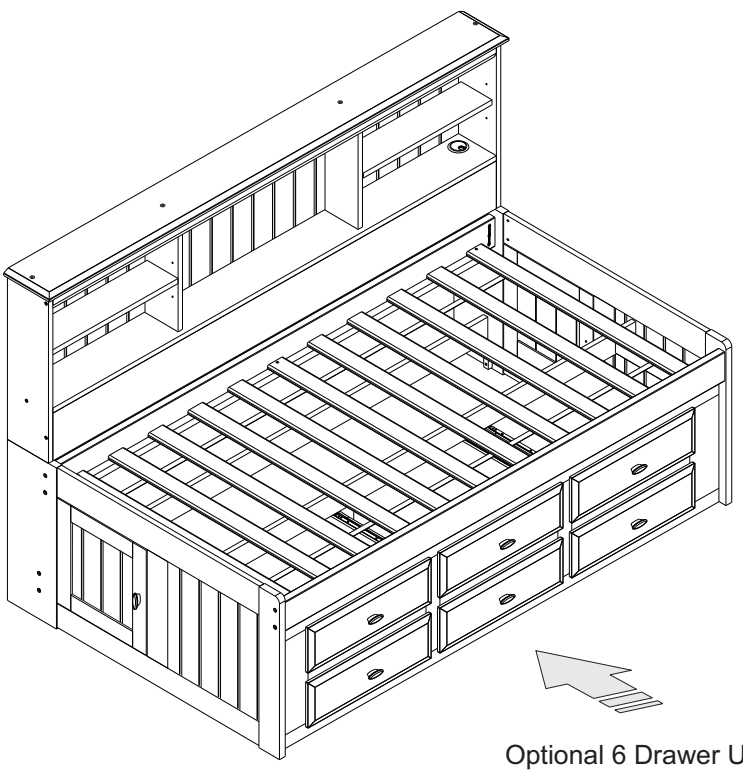
Simply slide
the Drawer unit
on the
elevation Stick

12



Optional Trundle

13



Optional 6 Drawer Unit