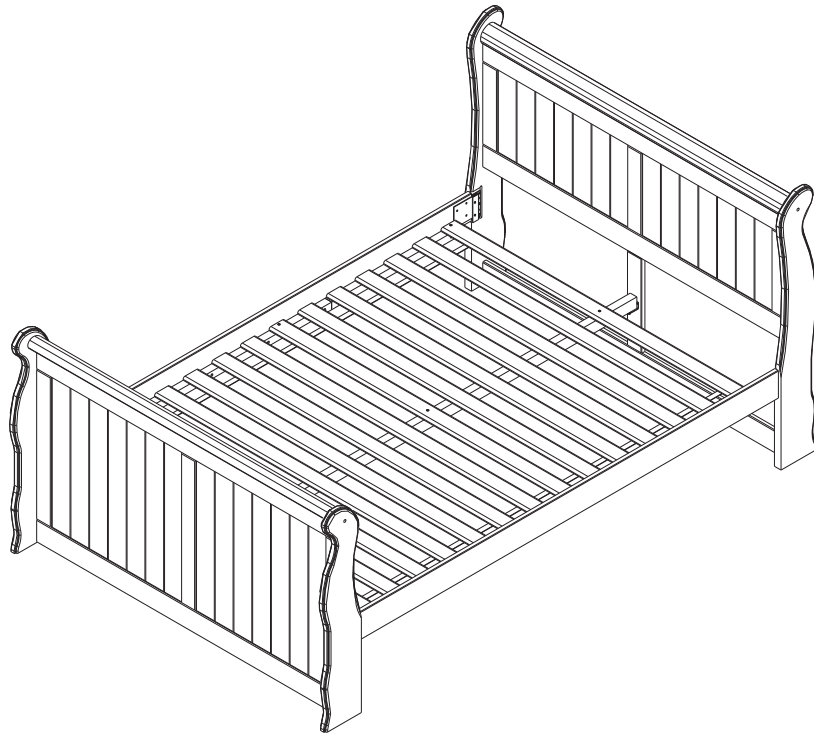
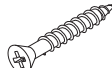

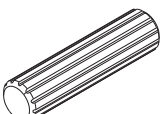
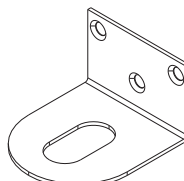


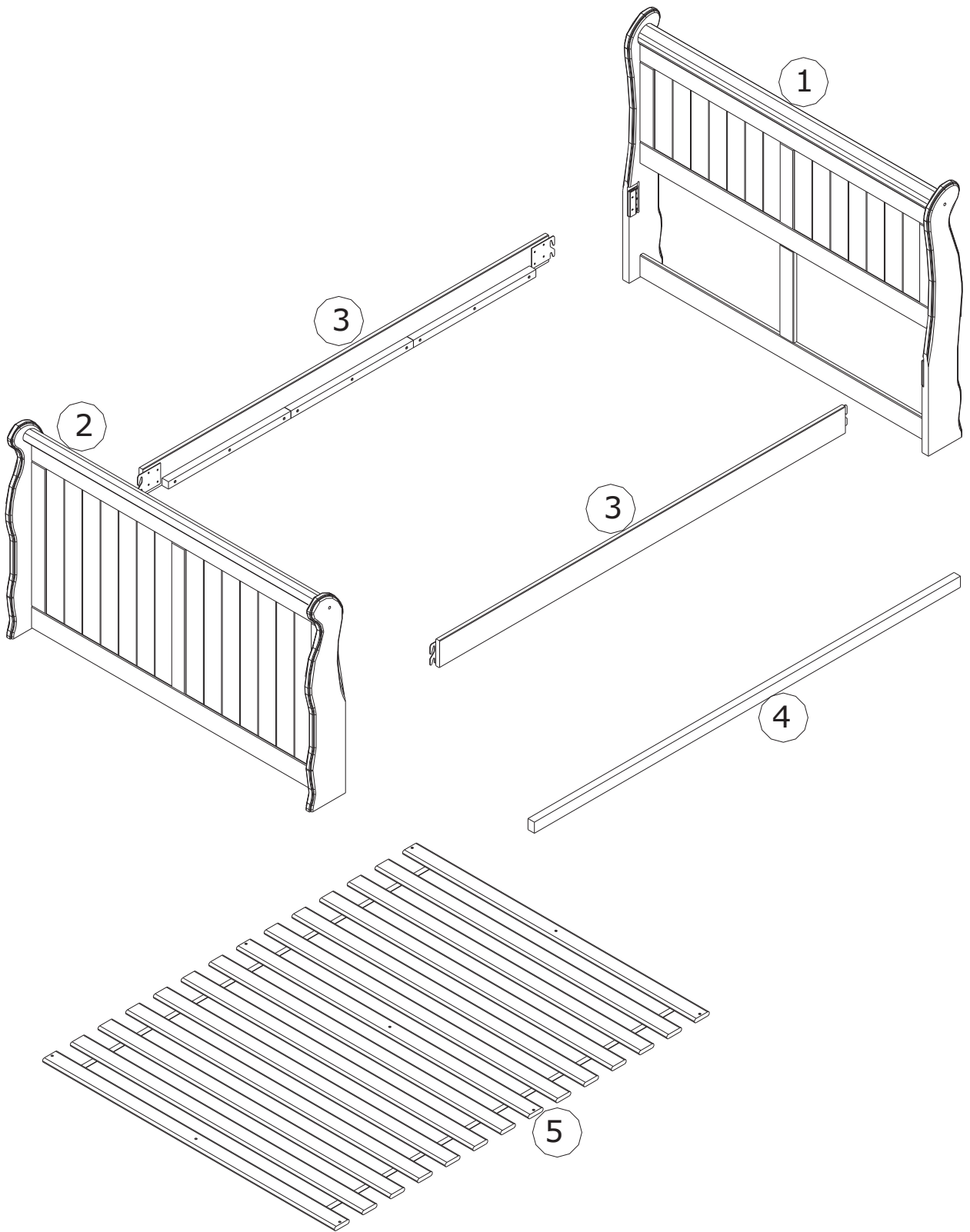
SLEIGH BED FULL



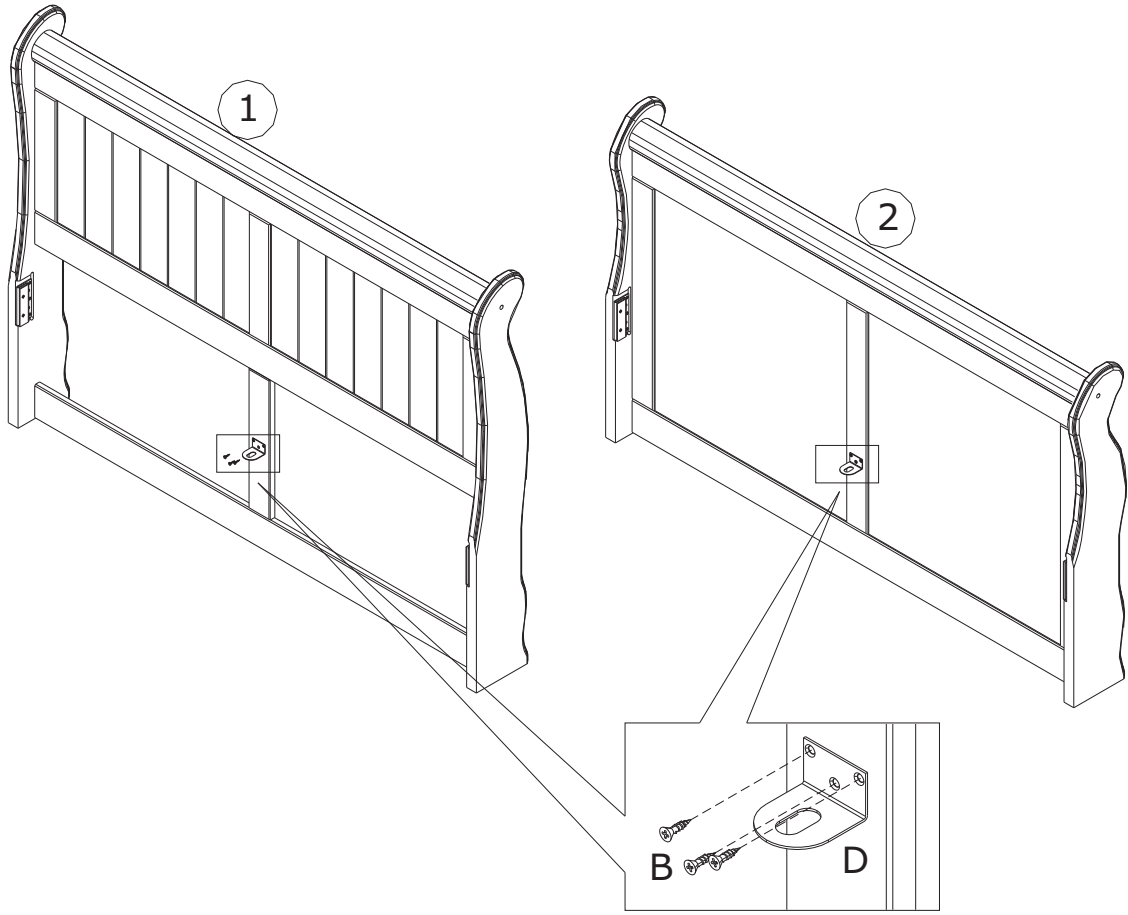
A	 5/32" x 1 1/2"	09
B	 1/8" x 5/8"	06
C	 1 1/2"	02
D		02

Replacement Parts & Lifetime Warranty

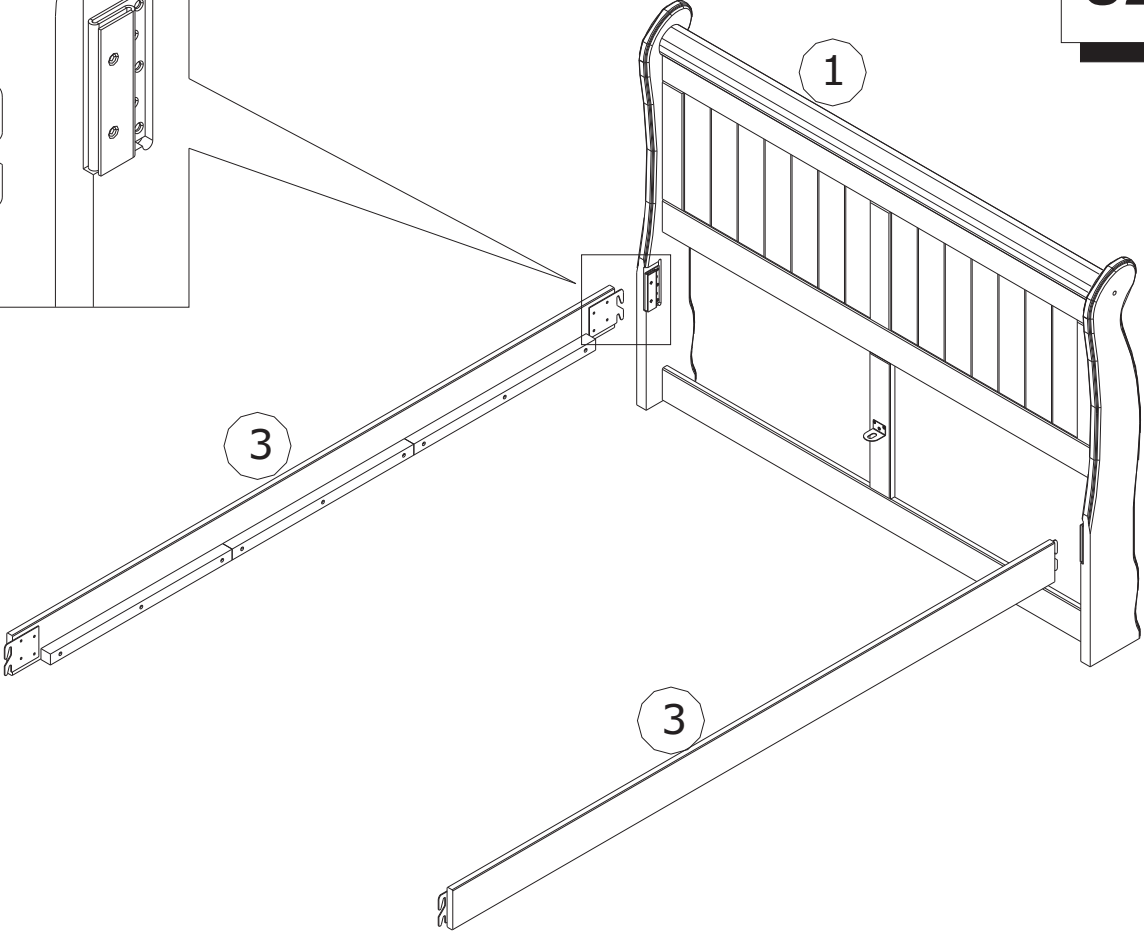
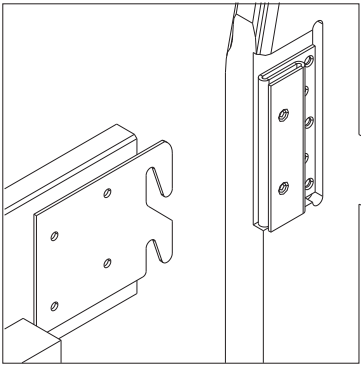
Discovery World Furniture will replace any component part free of charge for 1 full year via UPS freight collect. In addition, Discovery World Furniture will replace any component part for 50% of the then prevailing retail price plus freight for the lifetime of the product, unless the product has been discontinued from our line. For service, mail your request to: Discovery World Furniture 915 Cornwall Rd, Sanford, FL 32773.
Website www.discoveryworldfurniture.com



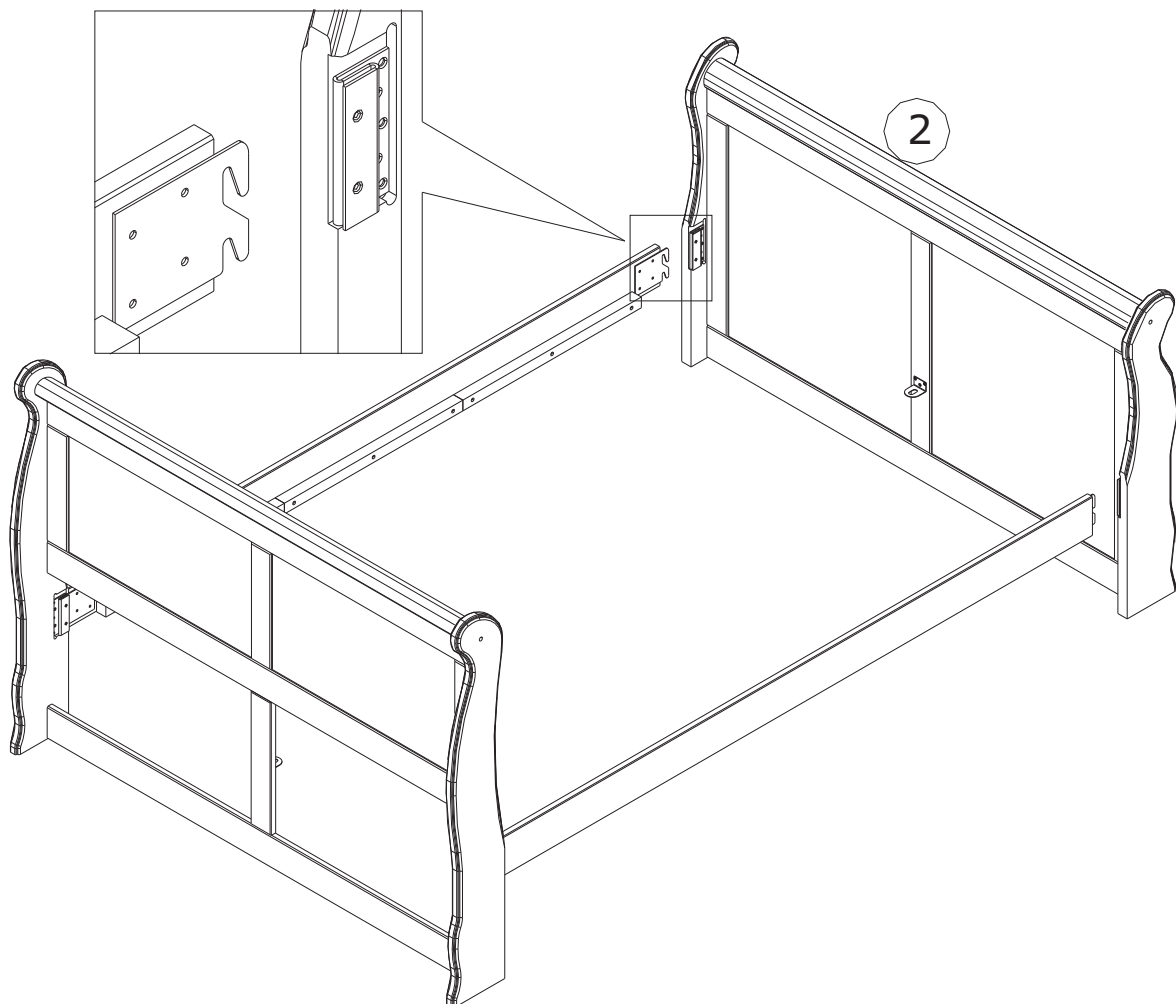
01



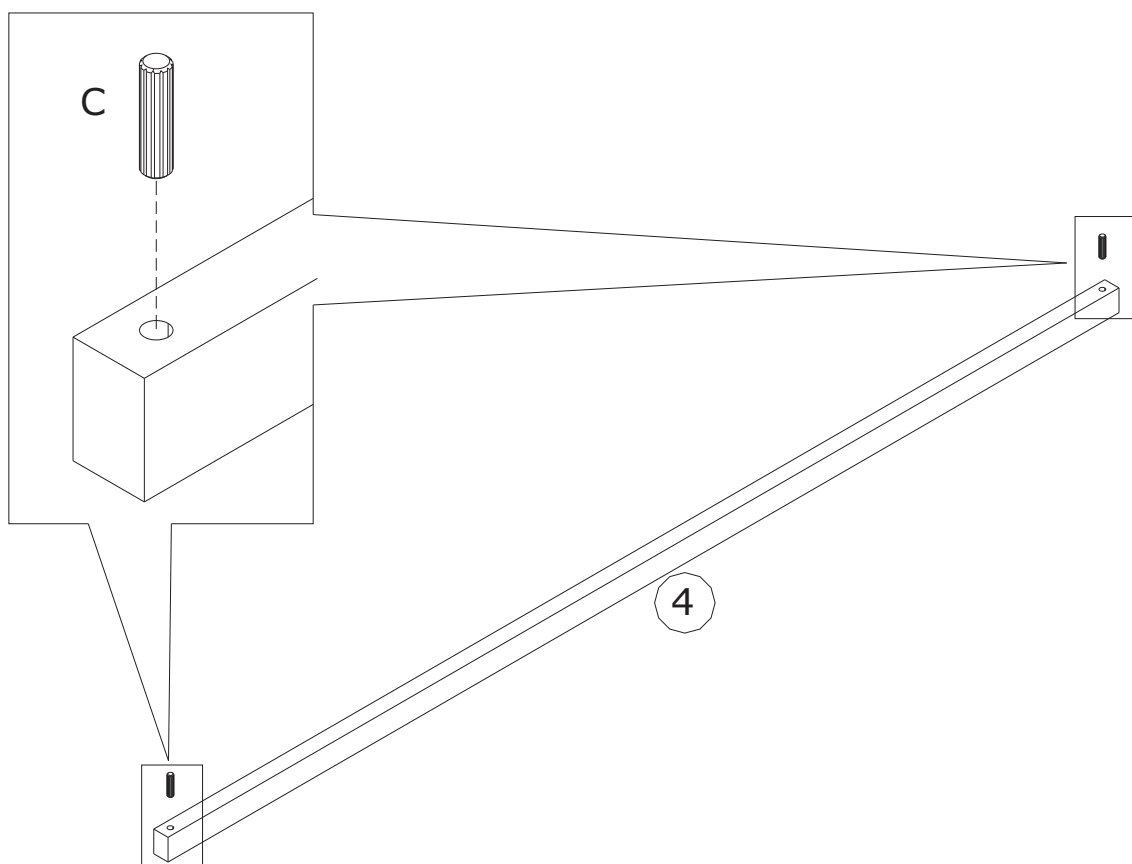
02



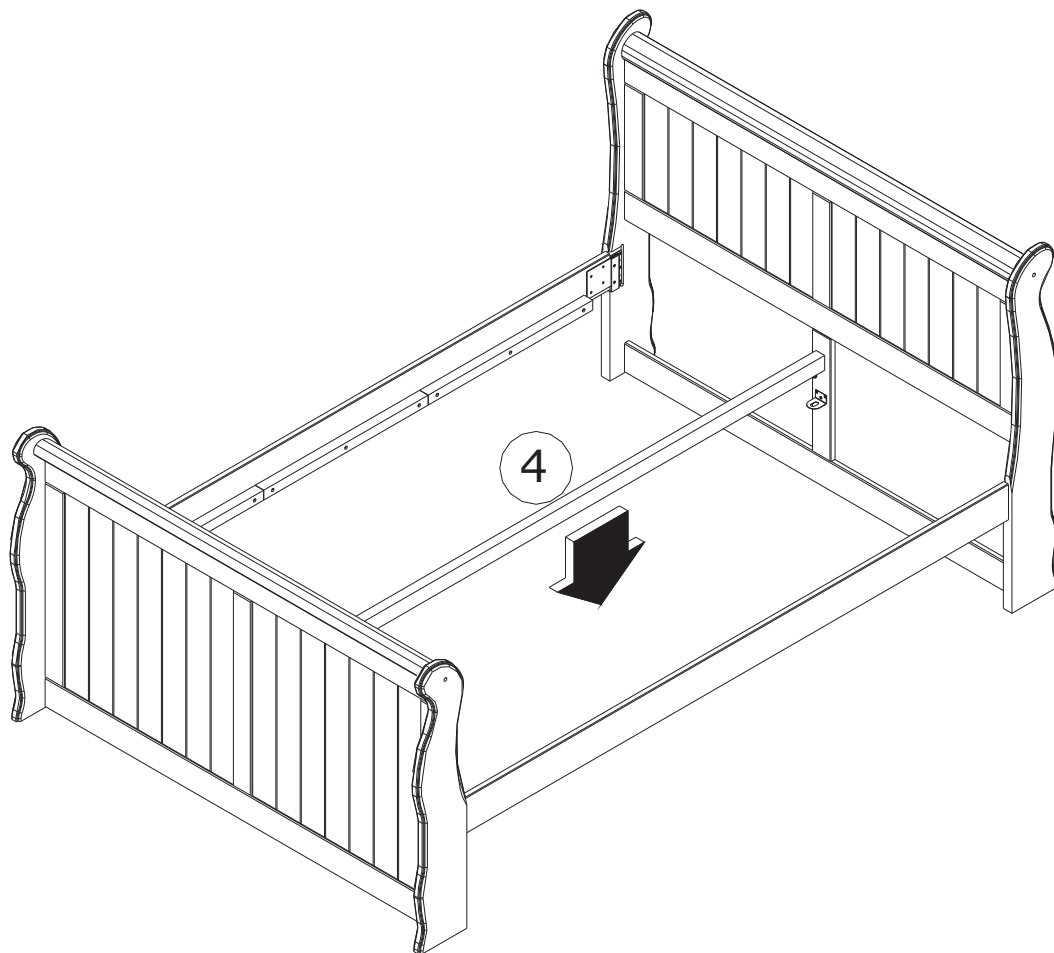
03



04



05



06

