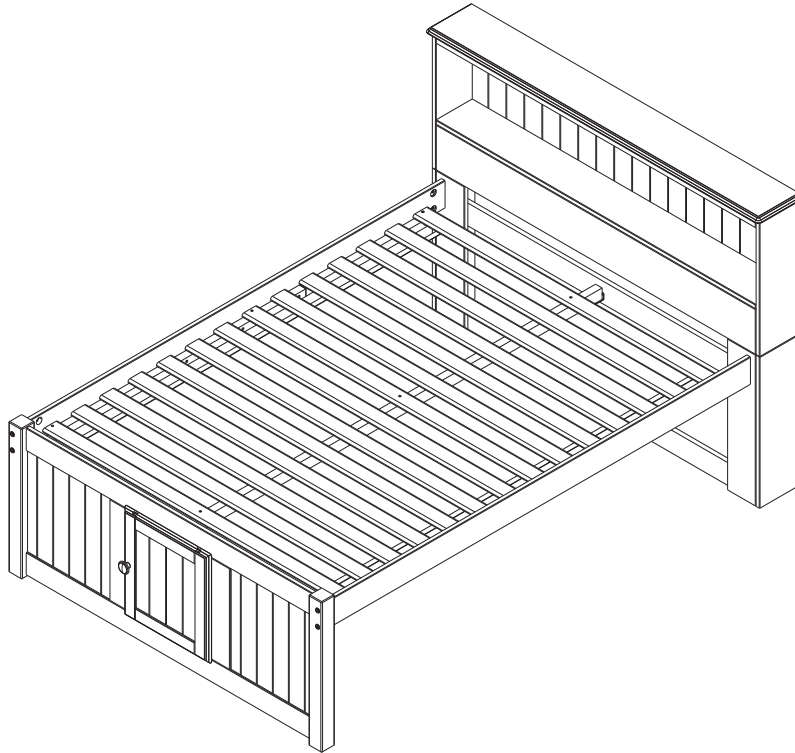


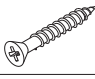
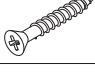


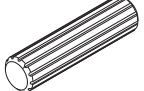
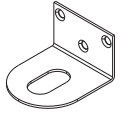


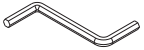




DISCOVERY BOOKCASE CAPTAINS FULL

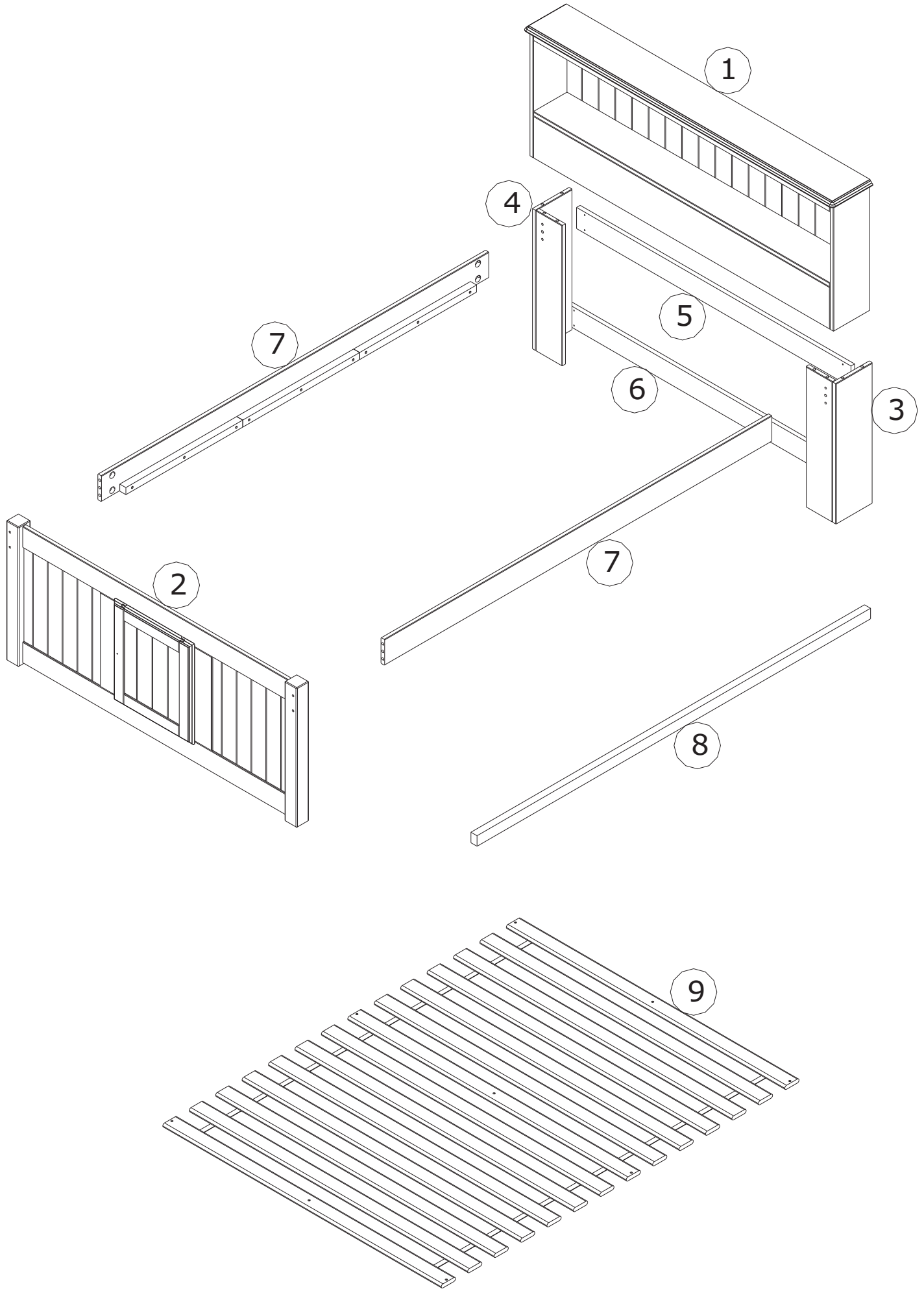


A	 1/4" x 4 1/2"	04
B	 1/4" x 2 3/4"	04
C	 5/32" x 1 1/2"	07
D	 5/32" x 1 5/32"	08
E	 5/32" x 5/8"	14

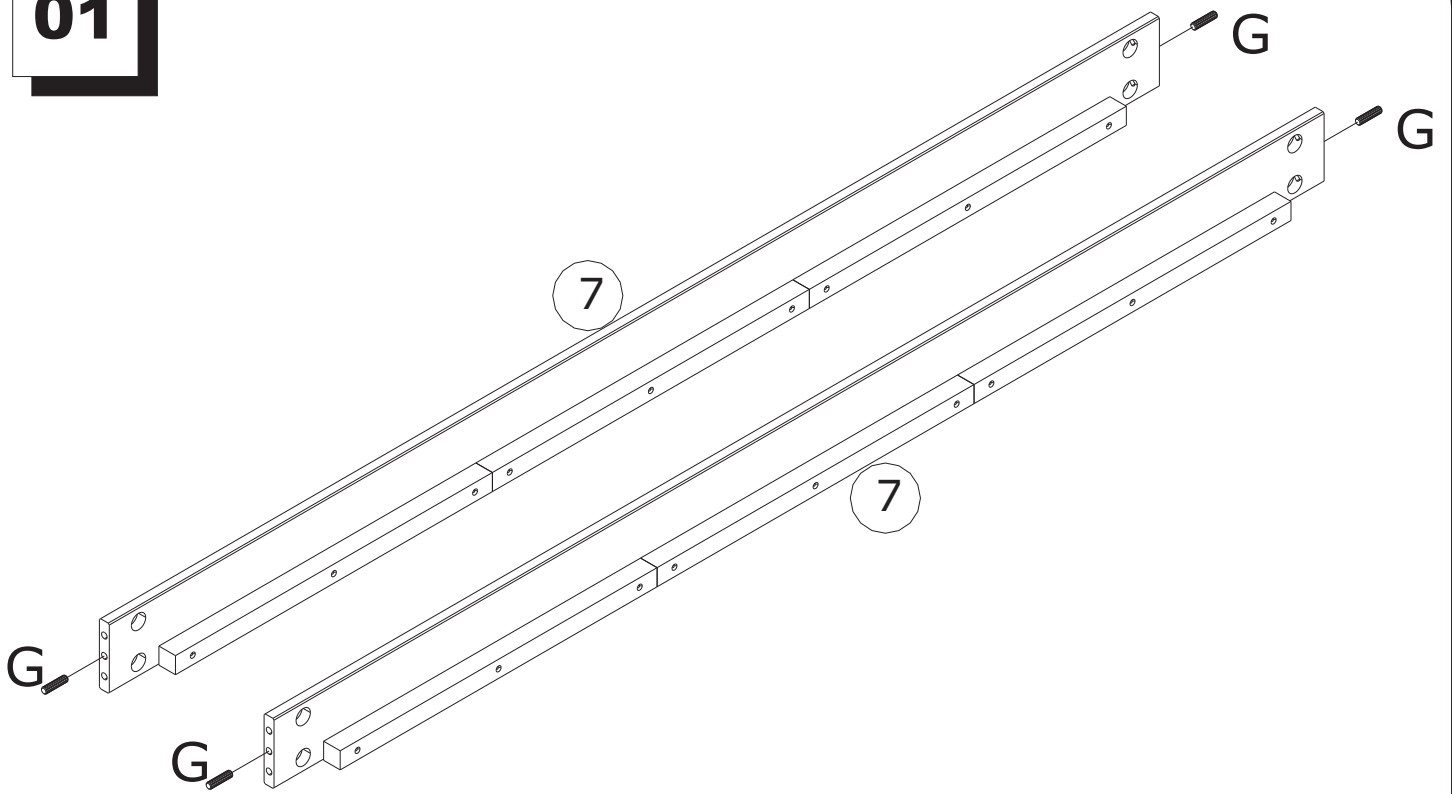
F		08
G	 1 1/2"	14
H		02
I		02
J		01
K		01

Replacement Parts & Lifetime Warranty

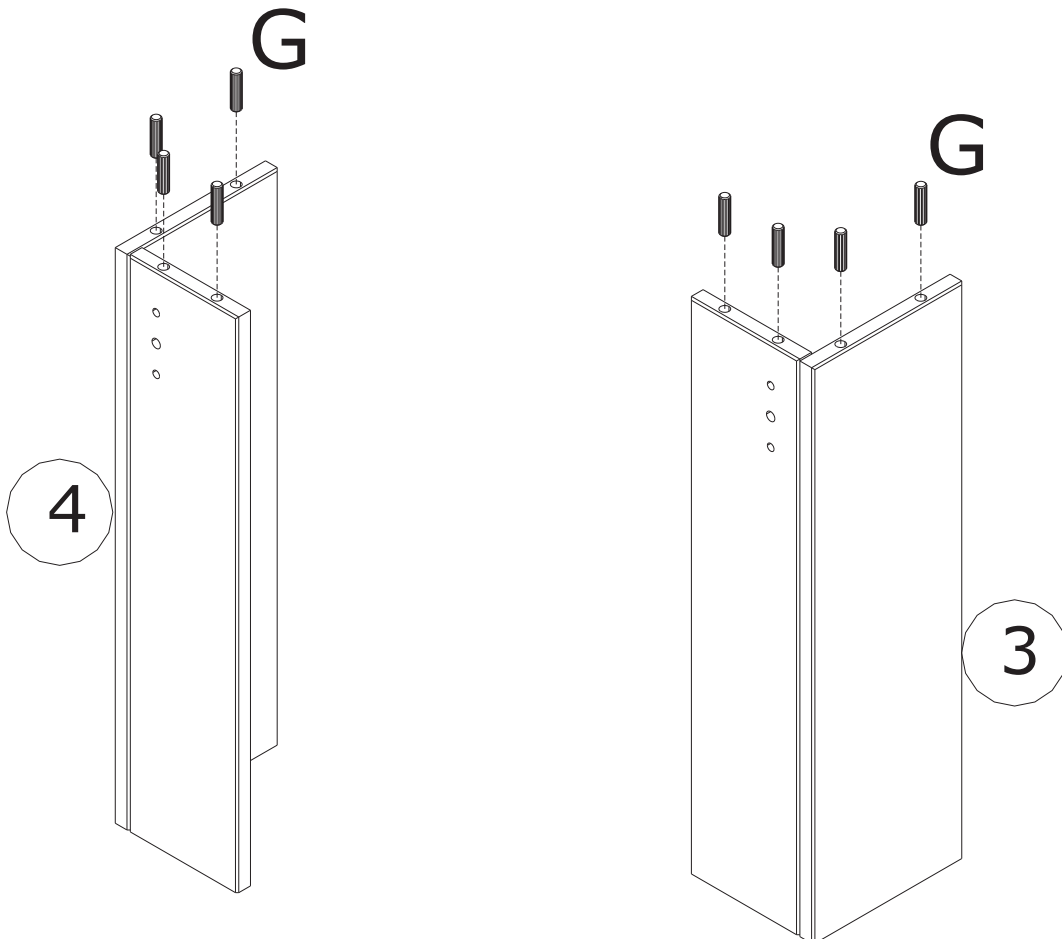
Discovery World Furniture will replace any component part free of charge for 1 full year via UPS freight collect. In addition, Discovery World Furniture will replace any component part for 50% of the then prevailing retail price plus freight for the lifetime of the product, unless the product has been discontinued from our line. For service, mail your request to: Discovery World Furniture 915 Cornwall Rd, Sanford, FL 32773. Website www.discoveryworldfurniture.com



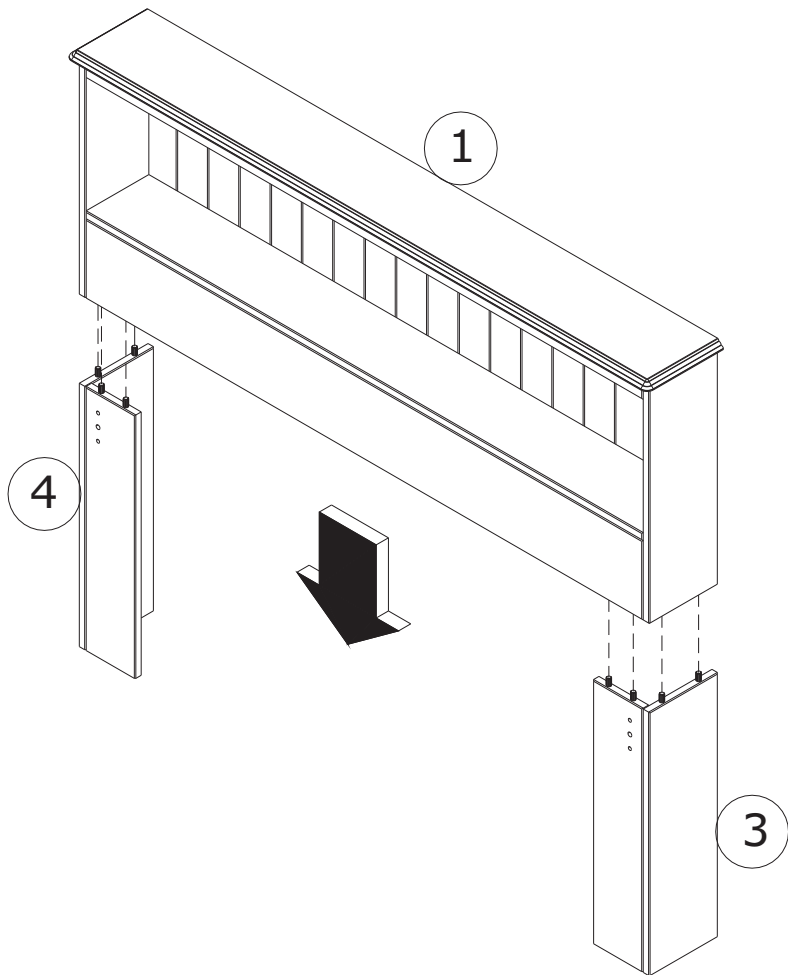
01



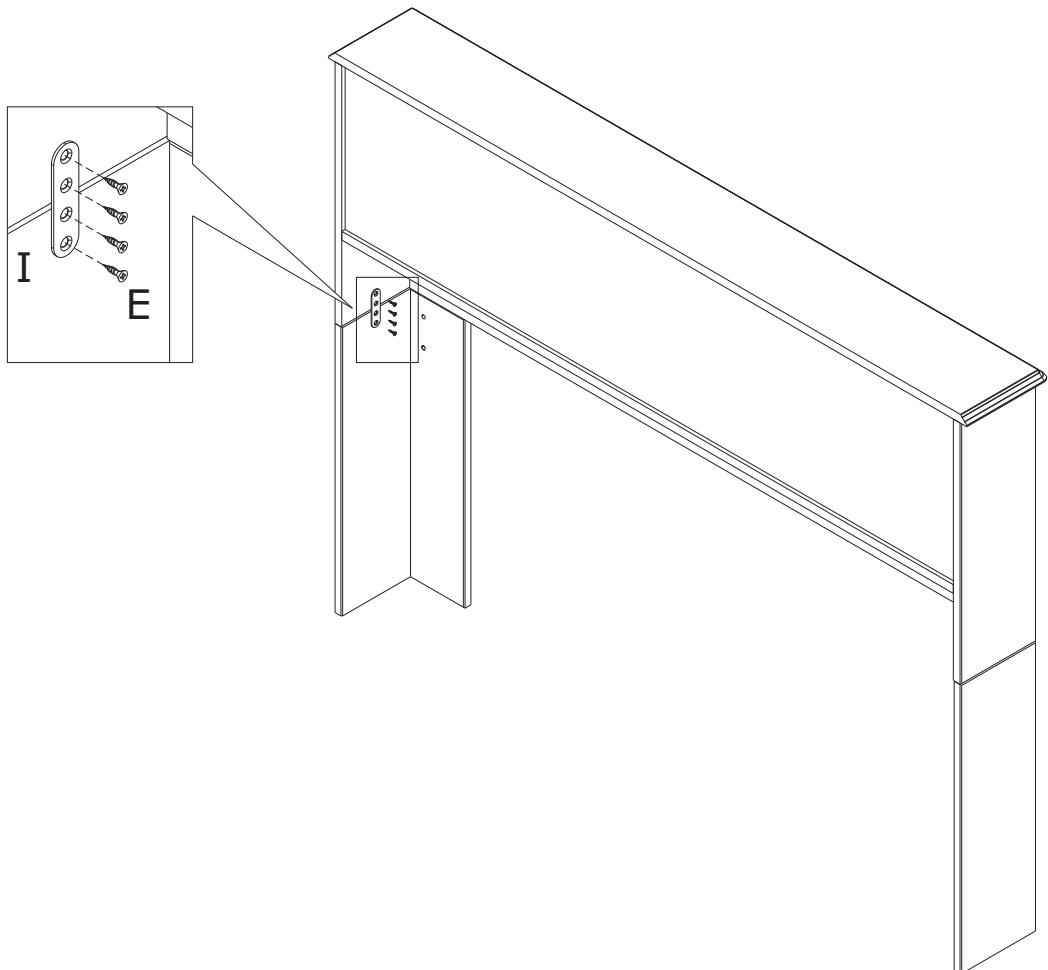
02



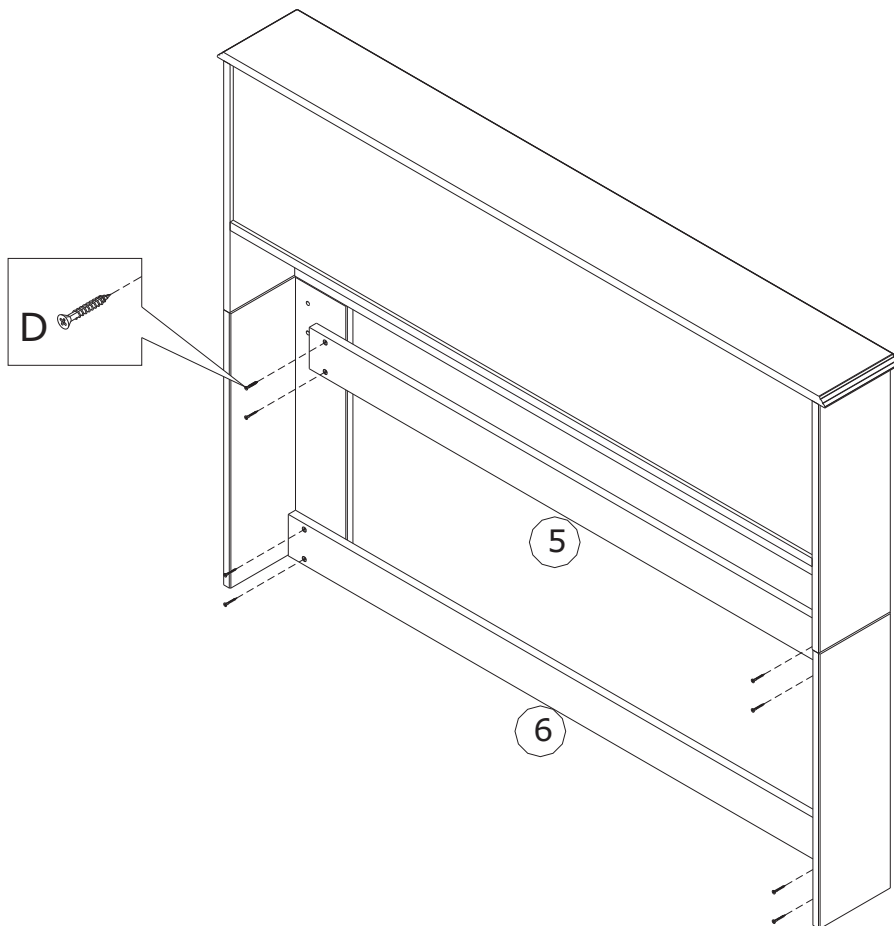
03



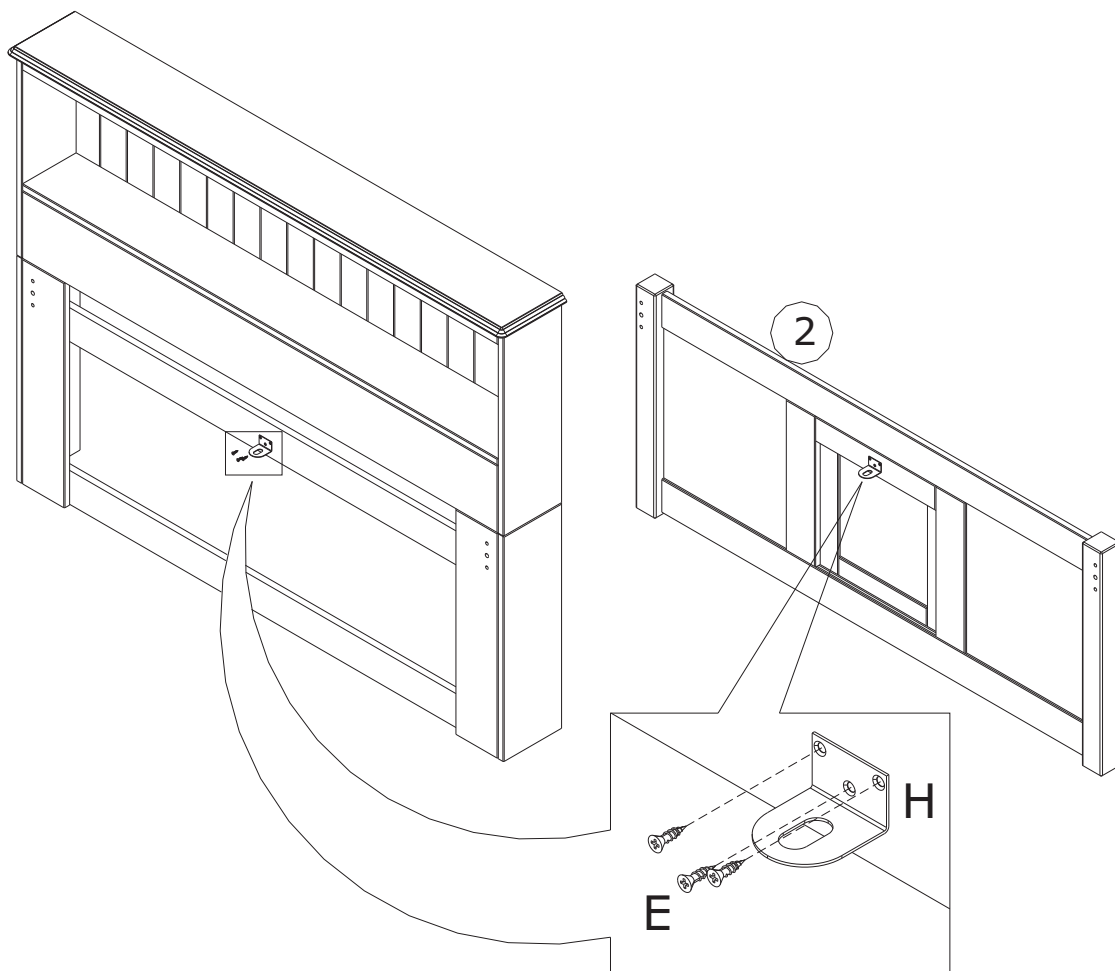
04



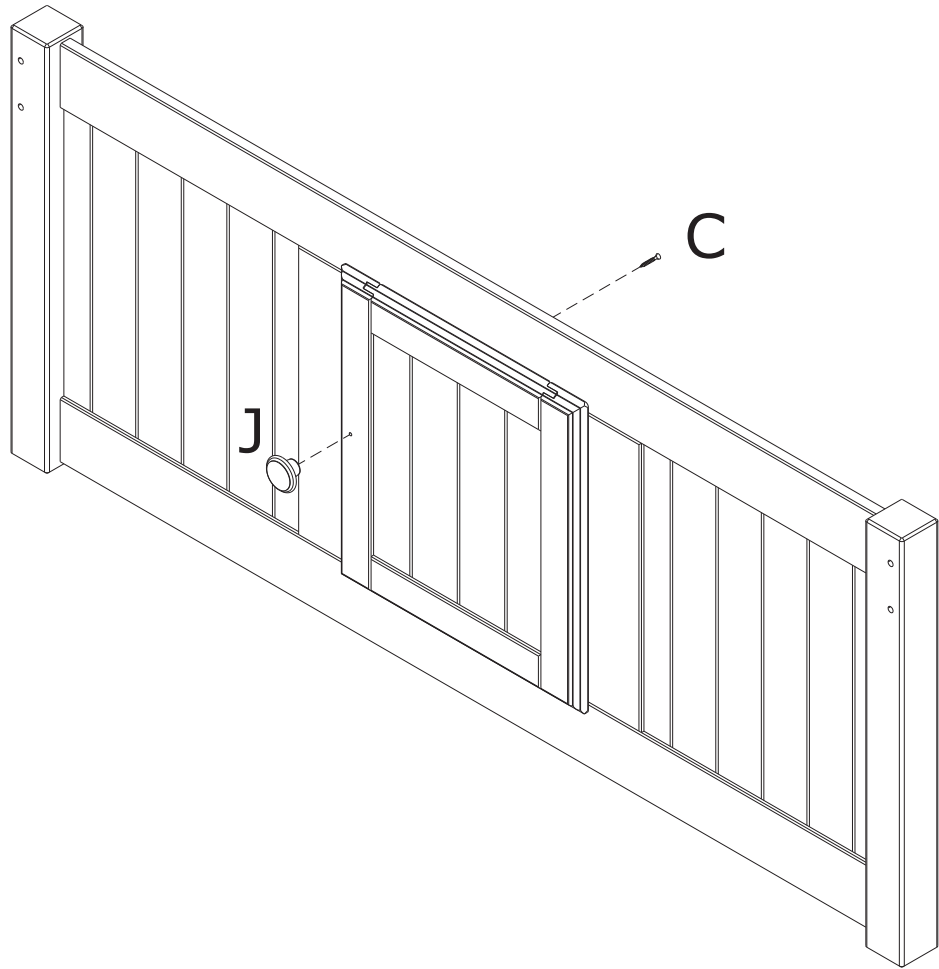
05



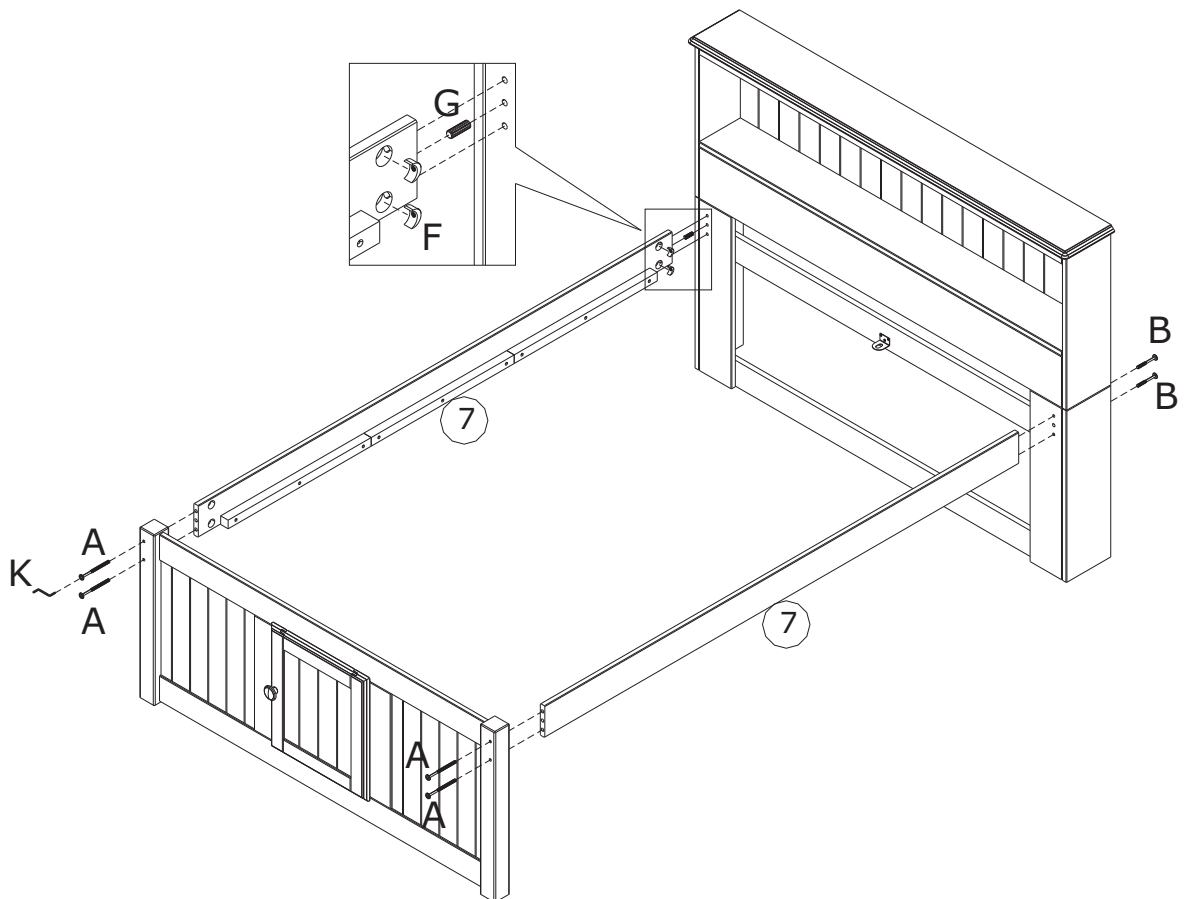
06



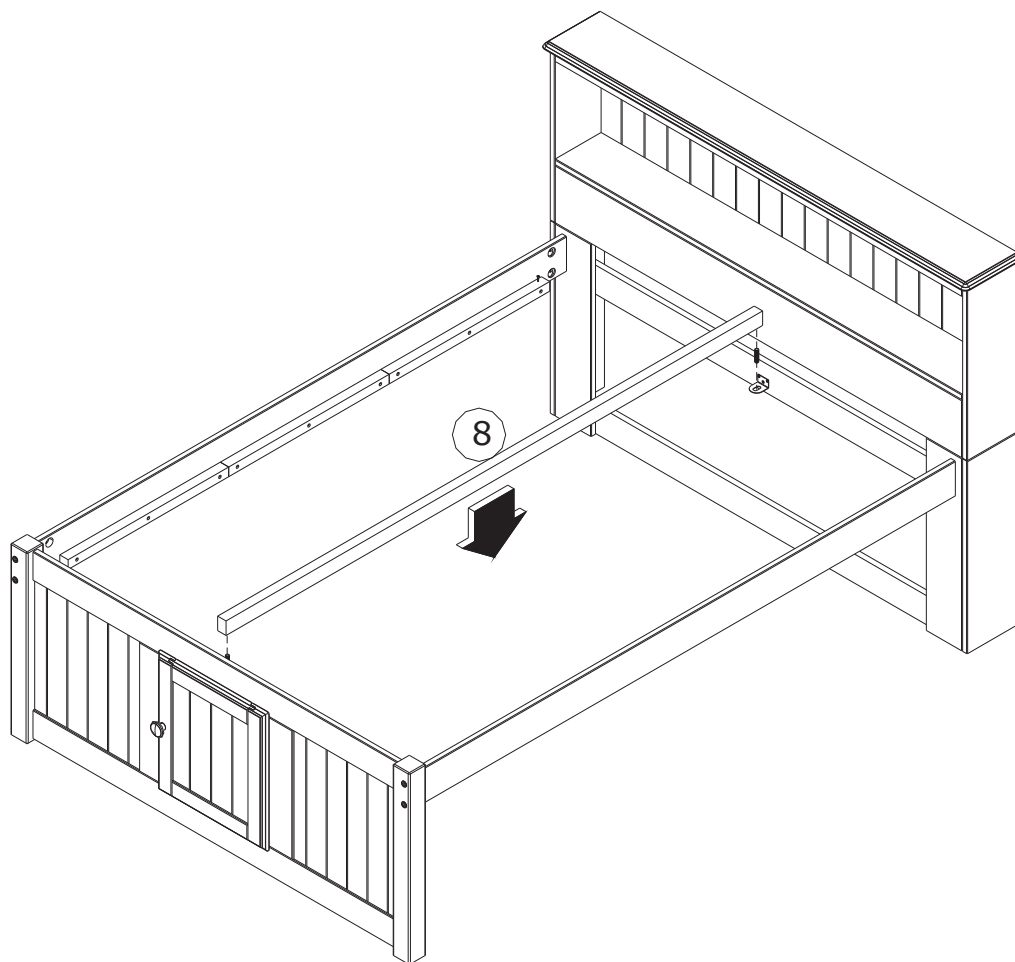
07



08



09



10

